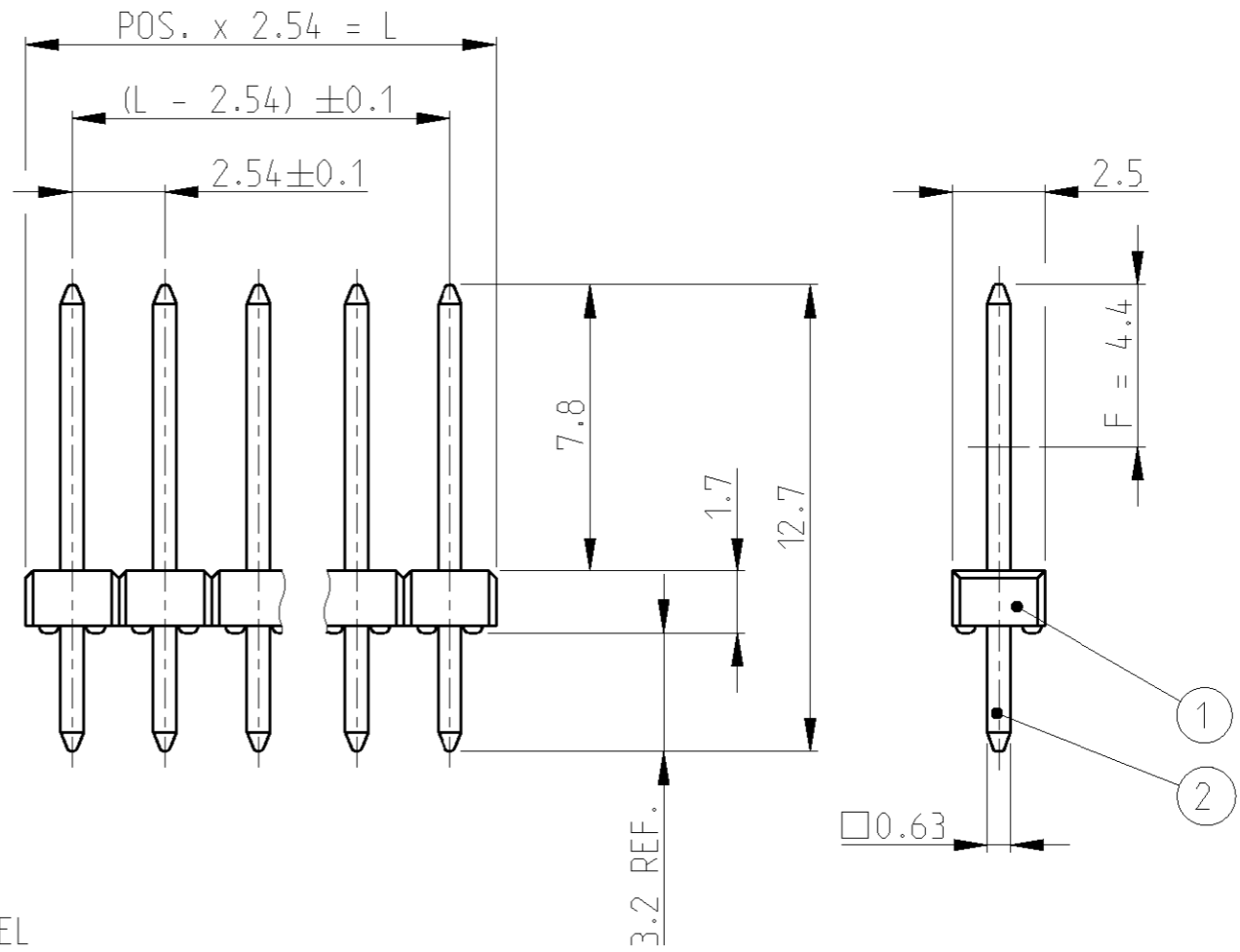


THIS DRAWING IS UNCLASSIFIED
 RELEASED FOR PUBLICATION 2007
 © COPYRIGHT 2007 BY TYCO ELECTRONICS CORPORATION. ALL RIGHTS RESERVED.

LOC	DIST	REVISIONS					
A1	-	P	LTR	DESCRIPTION	DATE	DWN	APVD
		1		MASS 12.7 WAR 11.6, 7.8 WAR 6.7	06MAY1985	NEBE	-
		2		CAD-NEUERSTELLUNG	21FEB1990	A.HO	-
		3		GEHAEUSE GEAEENDERT U. TAB. ERG.	06MAY1992	A.HO	-
		B1		REDRAWN, ENGLISH TEXT, PCB LAYOUT ADDED	23AUG2007	ACK	RK

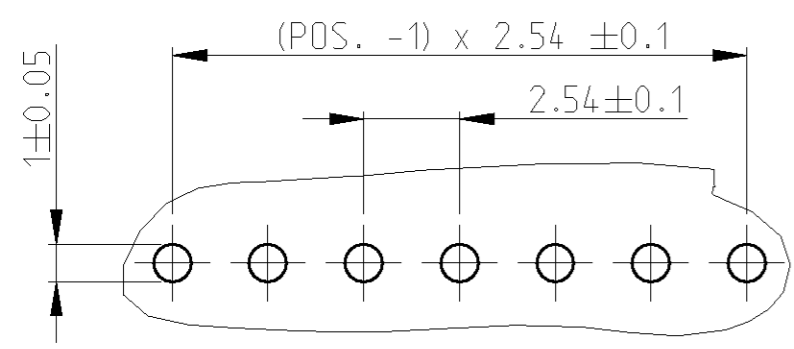
POS. PER ROW	L +0.3 -0.6	PART - NO.	POS. PER ROW	L +0.3 -0.6	PART - NO.
-	-	-	26	66.04	2- 828 220-6
2	5.08	828 220-2	27	68.58	2- -7
3	7.62	-3	28	71.12	2- -8
4	10.16	-4	29	73.66	2- -9
5	12.70	-5	30	76.20	3- -0
6	15.24	-6	31	78.74	3- -1
7	17.78	-7	32	81.28	3- -2
8	20.32	-8	33	83.82	3- -3
9	22.86	-9	34	86.36	3- -4
10	25.40	1-	-0	35	88.90 3- -5
11	27.94	1-	-1	36	91.44 3- -6
12	30.48	1-	-2	37	93.98 3- -7
13	33.02	1-	-3	38	96.52 3- -8
14	35.56	1-	-4	39	99.06 3- -9
15	38.10	1-	-5	40	101.60 4- -0
16	40.64	1-	-6	41	104.14 4- -1
17	43.18	1-	-7	42	106.68 4- -2
18	45.72	1-	-8	43	109.22 4- -3
19	48.26	1-	-9	44	111.76 4- -4
20	50.80	2-	-0	45	114.30 4- -5
21	53.34	2-	-1	46	116.84 4- -6
22	55.88	2-	-2	47	119.38 4- -7
23	58.42	2-	-3	48	121.92 4- -8
24	60.96	2-	-4	49	124.46 4- -9
25	63.50	2- 828 220-5	50	127.00	5- 828 220-0



1 MATING SIDE: AT AREA F 0.8 µm GOLD OVER 1.27 µm NICKEL
 SOLDER SIDE: MIN. 3 µm TIN OVER 1.27 µm NICKEL

STECKSEITE: IM BEREICH F 0.8 µm GOLD ÜBER 1.27 µm NICKEL
 LÖTSEITE: MIN. 3 µm ZINN ÜBER 1.27 µm NICKEL

PC BOARD LAYOUT
 LEITERPLATTENANSCHLUSSBILD



1	CONTACT PIN KONTAKTSTIFT	Cu Sn	2
COLOUR GREEN	PINHOUSING STIFTGEHAEUSE	PBT GV	1
REMARK	DESCRIPTION BEZEICHNUNG	MATERIAL	ITEM LFD. NR.

THIS DRAWING IS A CONTROLLED DOCUMENT FOR TYCO ELECTRONICS CORPORATION IT IS SUBJECT TO CHANGE AND THE CONTROLLING ENGINEERING ORGANIZATION SHOULD BE CONTACTED FOR THE LATEST REVISION.		DWN NEBE 20FEB1985	tyco Electronics AMP GmbH D - 67346 Speyer	
DIMENSIONS: mm		CHK M.SCHAARSCHMIDT 22FEB1985	NAME AMPMODU II PINHEADER SINGLE ROW STIFTLAISTE EINREIHIG	
TOLERANCES UNLESS OTHERWISE SPECIFIED: 0 PLC ±0.2 1 PLC ±0.2 2 PLC ±0.2 3 PLC ± 4 PLC ± ANGLES ±2°		APVD -	PRODUCT SPEC 108-18012	RESTRICTED TO -
MATERIAL -		FINISH -	APPLICATION SPEC -	SIZE A3
		WEIGHT -	CAGE CODE 00779	DRAWING NO C=828220
		CUSTOMER DRAWING	SCALE 5:1	SHEET 1 of 1
				REV B1